

NSA Series | Brushless Motor - Cordless Transducerized Rivet Nut Tool -

Du-Pas®



Display of real time Torque

LED Indicators

- REVERSE
- OK
- NOK
- ☀ LOW BATTERY WARNING
- CHANGE BATTERY

Ordering No. for Tool Models & Rivet heads

Metric	Tool Model	Rivet head No.
M3	NSA-08M3	220-PNS1010-7103-B0
M4	NSA-08M4	220-PNS1010-7103-C0
M5	NSA-08M5	220-PNS1010-7103-D0
	MSA-18M5	
M6	NSA-08M6	220-PNS1010-7103-E0
	MSA-18M6	
M8	NSA-08M8	220-PNS1010-7103-F0
	MSA-18M8	
M10	MSA-18M10	220-PNS1010-7103-G0

SPECIFICATIONS

Model	Voltage V	Rivet Nut Size		Torque Range		Pulling Force Kn	Free Speed rpm	Noise Level dB(A)	Weight w/o battery		Battery Charging time	
		Metric	SAE	Nm	ft-lb				kg	lb	2.5Ah	5.0Ah
NSA-08	18	M3,M4, M5, M6, M8	6-32, 8-32, 10-24, 10-32, 1/4-20, 5/16-18	1.5 - 8	2.2 - 5.9	12	220 - 1100	< 75	1.01	2.23	40	60
NSA-18	18	M5, M6, M8, M10	6-32, 8-32, 10-24, 10-32, 1/4-20, 5/16-18, 3/8-16	2 - 18	3.0 - 8.9	20	120 - 500	< 75	1.01	2.23		



TorqTec
100 Jeffrey Way Suite D
Youngsville, NC 27596
919-561-5536

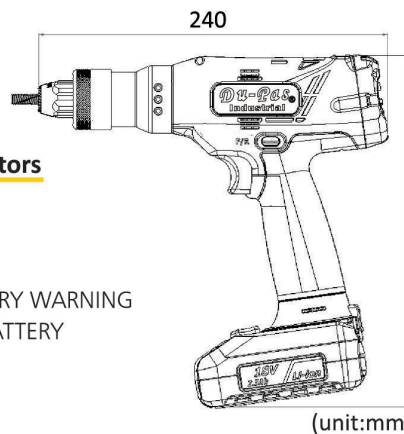
NSA Series | Brushless Motor - Cordless Transducerized Rivet Nut Tool -

Du-Pas®



Display of real time Torque

- LED Indicators**
- REVERSE
 - OK
 - NOK
 - LOW BATTERY WARNING
 - CHANGE BATTERY



Ordering No. for Tool Models & Rivet heads

SAE	Tool Model	Rivet head No.
6-32	NSA-08-01	32023-NSA-01
	NSA-18-01	
8-32	NSA-08-02	32023-NSA-02
	NSA-18-02	
10-32	NSA-08-07	32023-NSA-07
	NSA-18-07	
10-24	NSA-08-06	32023-NSA-06
	NSA-18-06	
1/4-20	NSA-08-03	32023-NSA-03
	NSA-18-03	
5/16-18	NSA-08-05	32023-NSA-05
	NSA-18-05	
3/8-16	NSA-18-04	32023-NSA-04

SPECIFICATIONS

Model	Voltage	Rivet Nut Size		Torque Range		Pulling Force	Free Speed	Noise Level	Weight w/o battery		Battery Charging time	
		Metric	SAE	Nm	ft-lb				kg	lb	2.5Ah	5.0Ah
	V					Kn	rpm	dB(A)			minute	
NSA-08	18	M3,M4, M5, M6, M8	6-32, 8-32, 10-24, 10-32, 1/4-20, 5/16-18	1.5 - 8	2.2 - 5.9	12	220 - 1100	< 75	1.01	2.23	40	60
NSA-18	18	M5, M6, M8, M10	6-32, 8-32, 10-24, 10-32, 1/4-20, 5/16-18, 3/8-16	2 - 18	3.0 - 8.9	20	120 - 500	< 75	1.01	2.23		



TorqTec
100 Jeffrey Way Suite D
Youngsville, NC 27596
919-561-5536